



SUN PROTECTION SYSTEM



Zagłębiowska
MEDIATEKA

complex sun protection

YAWAL SUN PROTECTION - SYSTEM FEATURES

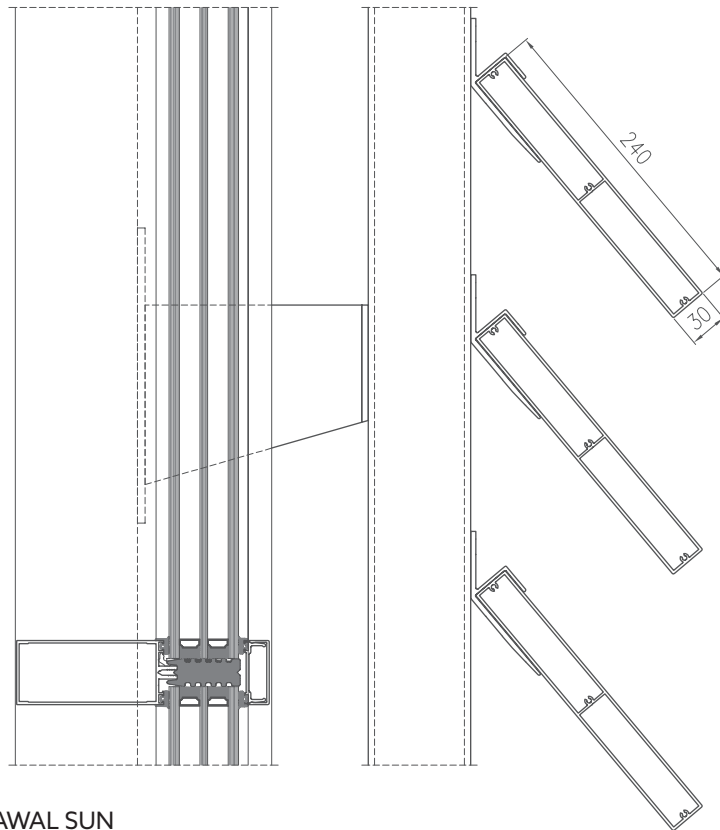
- possibility of automatic control,
- product is available in several variants,
- brise soleils (fixed and movable) and façade shutters,
- complex anti-solar protection of a building,
- enriching building structure with brise soleils,
- increased comfort of work for persons inside the building due to reflecting and diffusing of light entering the building,
- air conditioning costs reduction,
- possibility of connecting with all YAWAL systems.



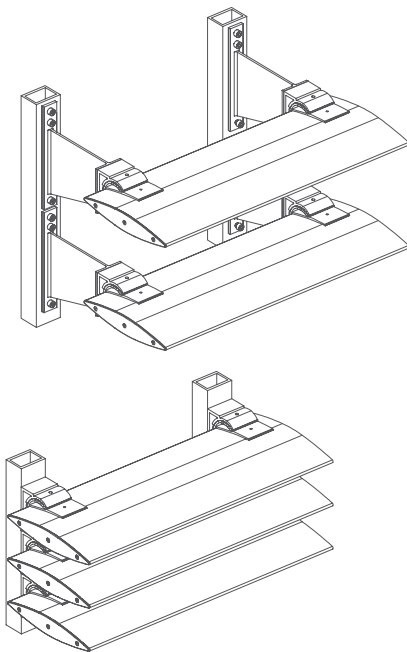
See the product
on the website

Picture: Mediateka - City Library, Sosnowiec
Design: Designing Studio AiM Arkadiusz Miśkiewicz, Katowice,
Aluminium manufacturer: APS-System, Częstochowa

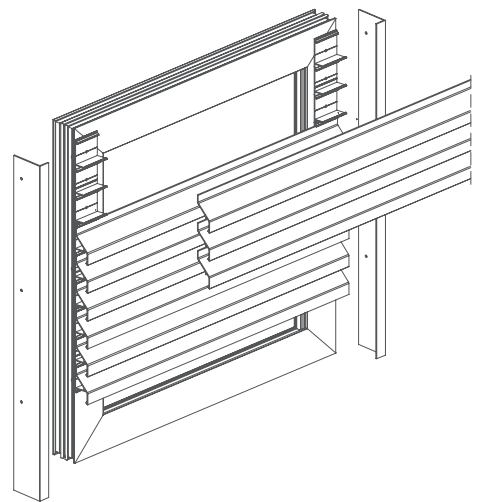
YAWAL SUN PROTECTION -
CROSS SECTION THROUGH
RECTANGULAR SLATS



MOUNTING DIAGRAM OF YAWAL SUN
PROTECTION FIXED SHUTTERS



MOUNTING DIAGRAM OF FACADE SHUTTERS
YAWAL SUN PROTECTION



TECHNICAL PARAMETERS - YAWAL SUN PROTECTION

SAFETY

Wind load resistance EN 13659

Class 6

TECHNICAL PROPERTIES - YAWAL SUN PROTECTION

	FIXED BRISE SOLEILS	MOVABLE BRISE SOLEILS	BLINDS
Shape of protection	elliptic / rectangular	elliptic	"z" - shaped
Protection dimensions	100, 150, 200, 240, 300 mm	100, 150, 200, 240, 300 mm	50, 60, 66, 76, 80, 86 mm
Assembly angle	0°, 9°, 15°, 18°, 27°, 30°, 36°, 45°	premenlivý	konštantný