



YAWAL

TM
77

ACCORDION DOOR SYSTEM

BiFold

numerous structural solutions

TM 77 BIFOLD – SYSTEM FEATURES

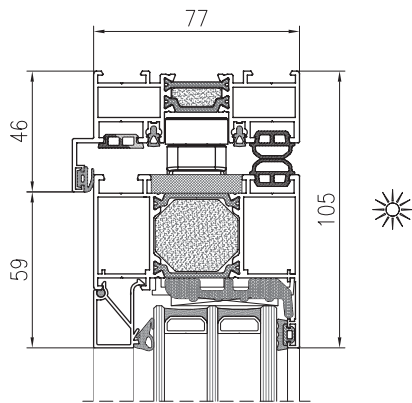
- large permitted dimensions and a wide span allowing the construction of doors with a leaf height of up to 3500 mm, a width of 1200 mm and a leaf weight of up to 120 kg,
- high thermal insulation properties and energy savings,
- solid structure based on reliable accordion fittings that retain their properties and efficiency for many years,
- available variant with increased thermal insulation thanks to the use of additional thermal inserts around the perimeter,
- versatility of configuration solutions with the use of multi-leaf compositions, even and odd, opening inward and outward of the building,
- additional compensation profiles giving the possibility of adjusting and increasing the clear opening,
- compatibility with TM 77HI window and door system and analogous connection of profiles



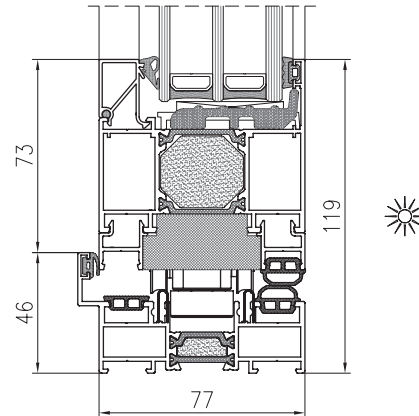
See the product
on the website

Picture: Examples of the system use.

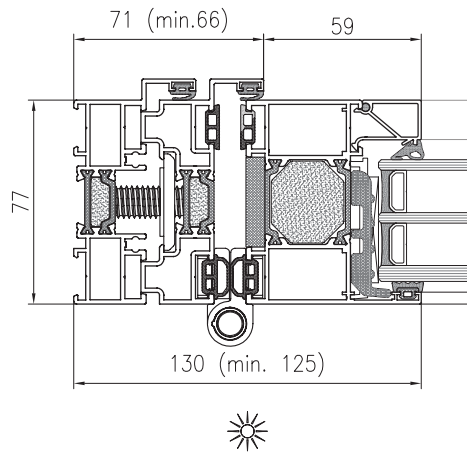
CROSS SECTION THROUGH
TM 77 BIFOLD DOOR



CROSS SECTION THROUGH
TM 77 BIFOLD DOOR



CROSS SECTION THROUGH
TM 77 BIFOLD DOOR



TECHNICAL PARAMETERS - TM 77 BIFOLD

ENERGY	Thermal insulation EN 10077-2	Uw from 0,95 W/m ² K
COMFORT	Air permeability EN 12207	Class 4
	Water tightness EN 12208	Class 9A
SAFETY	Wind load resistance EN 12210	Class C4

TECHNICAL PARAMETERS - TM 77 BIFOLD

Frame structural depth	77 mm
Leaf structural depth	77 mm
Infill thickness	21 ÷ 61 mm
Maximum dimensions L x H	1200 x 3500 mm (minimum width 600 mm)
Maximum weight of manual leaf	120 kg
Structure type / leaves diagrams	220, 220+, 330, 321, 321+, 440, 431, 422, 550, 550+, 541, 660, 651, 651+