



YAWAL

**TM
75EI**

ALL-GLASS FIRE PROTECTION WALLS
WITHOUT SASH BARS

aesthetics and safety

TM 75EI - SYSTEM FEATURES

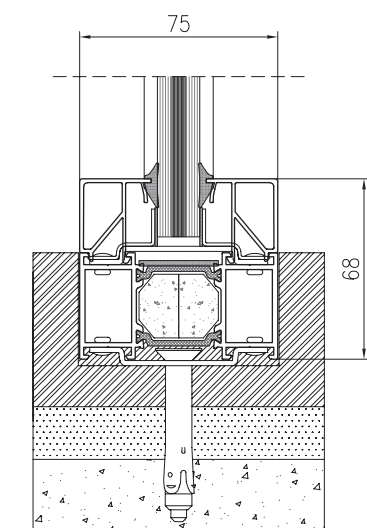
- TM 75EI system allows the construction of all-glass fire protection walls without sash bars (without visible vertical profiles between glass panes),
- profile separating glass sheets is invisible (only profile around the structure is visible),
- possibility of constructing walls up to 3000 mm,
- possibility of assembly of TM 75EI system with fire resistance class EI 30 and EI 60,
- possibility of selecting glass manufacturer EI 30 and EI 60: Vetrotech, SAINT-GOBAIN and AGC and EI 30 Bohamet.



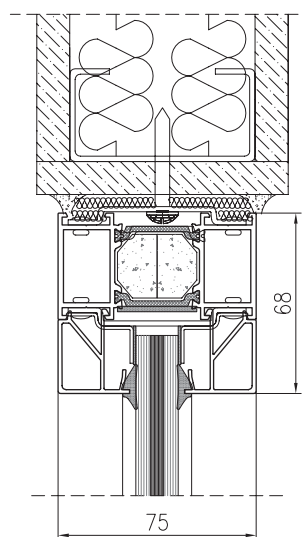
See the product
on the website

Picture: Office building VIA CON, Rydzyna near Leszno
Design: Designing studio INSPIRE Ewa Gbiorczyk, Dąbcze
Aluminium manufacturer: BUMET-GREKOR LESZNO Sp. z o.o., Leszno

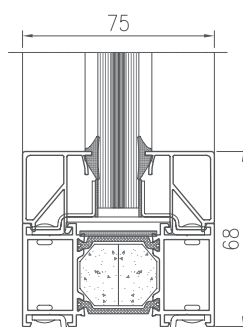
CROSS SECTION THROUGH
TM 75EI WINDOW



CROSS SECTION THROUGH
TM 75EI WINDOW



CROSS SECTION THROUGH
INTERNAL TM 75EI 30 WALL



TM 75EI - ALL-GLASS FIRE PROTECTION WALLS
WITHOUT SASH BARS

TECHNICAL PARAMETERS - TM 75EI

		INTERNAL WALLS	EXTERNAL WALLS
COMFORT	Air permeability EN 12152	-	Class A4
	Water tightness EN 12154	-	R7
SAFETY	Impact resistance to soft body	IVc	I3/E3 and heavy body EN 14019

TECHNICAL PROPERTIES - TM 75EI

Maximum height of internal and external walls - profiles fire protection wall 5000 mm (EI 30), 4950 mm (EI 60)

Maximum height of internal and external walls - ściana całoszklana ppoż. 3000 mm (EI 30),

acc. to the NATIONAL TECHNICAL ASSESSMENT ITB-KOT-2021/1942 ver. 1