

ECLIPSE
33

ALUMINIUM
SHUTTERS SYSTEM

ever-lasting elegance

ECLIPSE 33 – SYSTEM FEATURES

- modern design,
- periodical maintenance of external surface is not necessary,
- durable colours, easy to clean,
- high durability, no atmospheric corrosion,
- great selection of colours – RAL palette, structural colours, wood-like veneer,
- quick and easy assembly,
- more economic alternative for wooden shutters,
- possibility of connecting with all YAWAL systems.

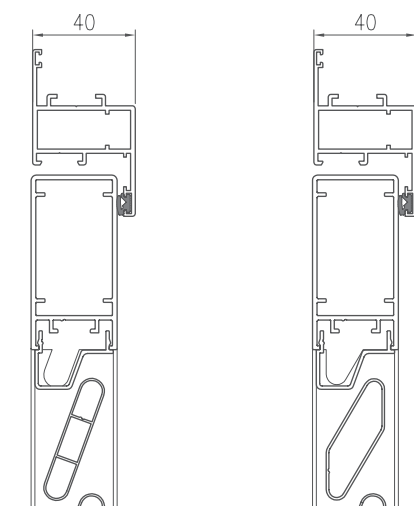


See the product
on the website





VERTICAL SECTIONS THROUGH SHUTTERS WITH FIXED SLATS



TECHNICAL PROPERTIES - ECLIPSE 33

	SHUTTERS WITH FIXED LOUVRES	PANEL SHUTTERS
Maximum dimensions of a single sash	900 x 2400	900 x 2400
Shutter thickness	40 mm	30 mm
Visible frame width	68 mm	18 mm
Infill thickness	27 mm	27 mm
Assembly method	To the frame, to the wall	To the wall