

TM
82W
HI

WINDOWS SYSTEM
GLAZED INSIDE



large-dimension glazing

TM 82W HI - SYSTEM FEATURES

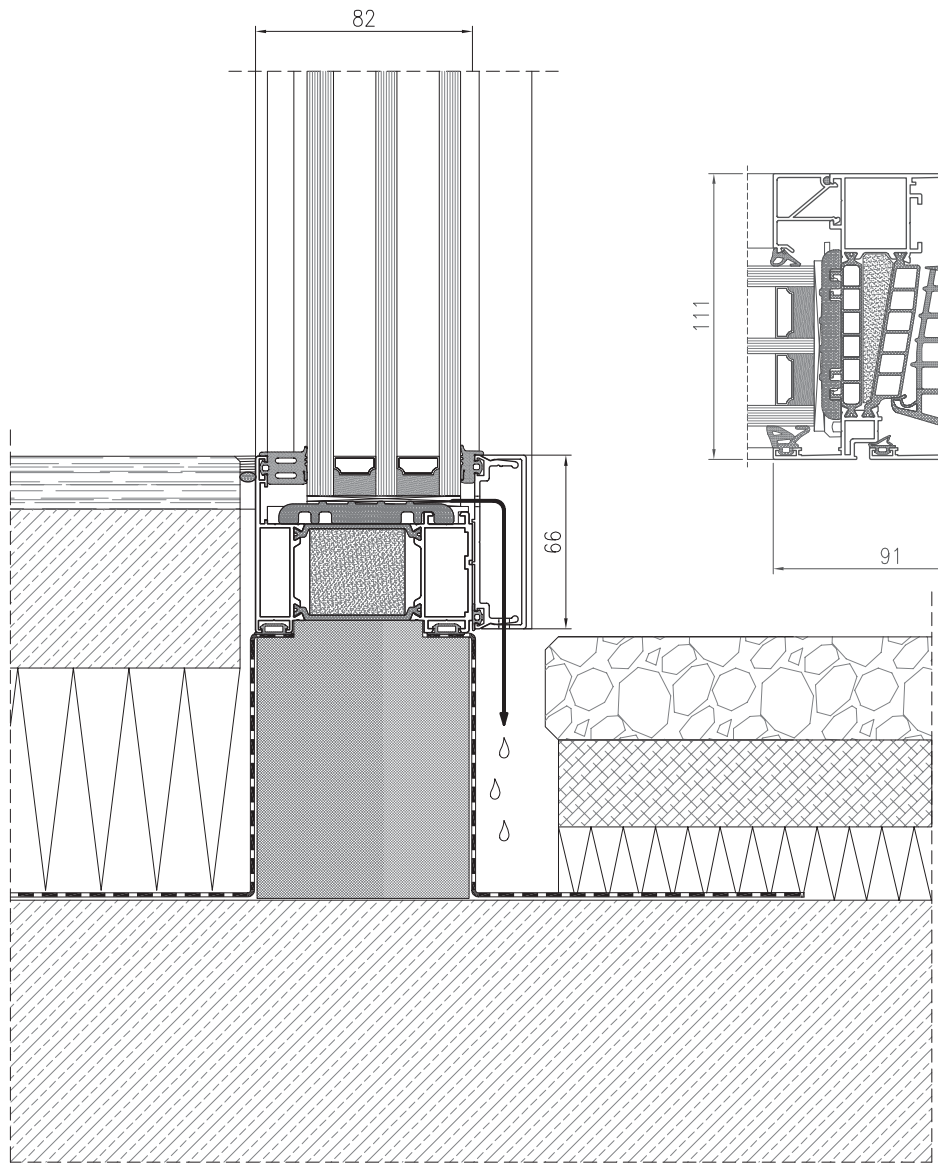
- facilitates the installation of large glazing, without the need to bring them inside the room,
- excellent thermal insulation of the solution,
- by designing clips and strips from the outside similar to FA 50N the structure visually resembles a mullion and transom façade,
- system installation of windows and doors, including panel doors,
- mullion is systemically prepared for the application of steel reinforcements to obtain better static parameters,
- window structure - the weight of the glass pane is transferred perpendicularly to the profile, no transom twisting effect,
- minimum number of new elements in the system and the possibility of using well-known and popular gaskets and connectors from other systems allows for the optimization of stock levels,
- unique design with no direct equivalent on the market.



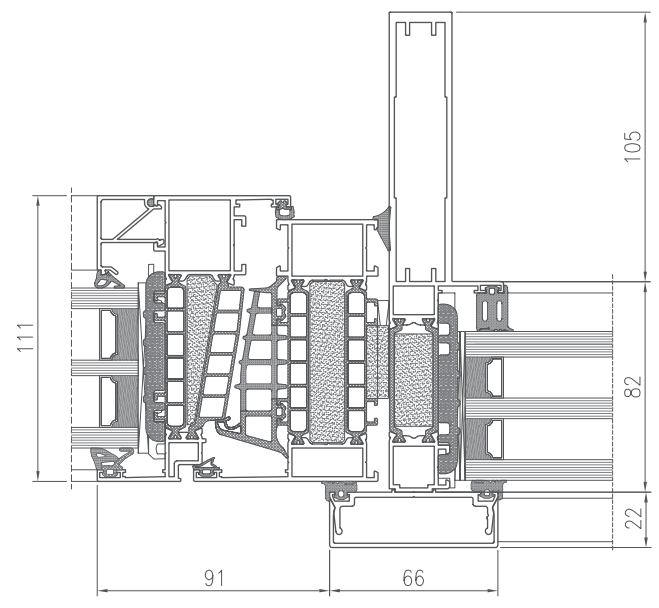
See the product
on the website

Picture: Private house
Design: MRZEWA Architects, Łódź,
Aluminium manufacturer: Zimny Sp. z o.o., Łódź

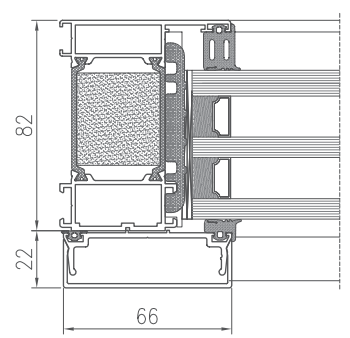
CROSS SECTION THROUGH TM 82W HI WINDOW



CROSS SECTION THROUGH TM 102HI WINDOW WITH FIXED TM 82W HI MULLION



CROSS SECTION THROUGH TM 82W HI FRAME



TECHNICAL PARAMETERS - TM 82W HI

ENERGY	Thermal insulation EN 10077-2	Uw from 0,5 W/m ² K
COMFORT	Acoustic insulation EN ISO 140-3	Rw = 39 ÷ 48 dB
	Air permeability EN 12207	Class 4
	Water tightness EN 12208	E900
SAFETY	Wind load resistance EN 12210	Class C5/B5

TECHNICAL PROPERTIES - TM 82W HI

Frame structural depth	102 mm
Sash/leaf structural depth	111,4 mm
Infill thickness	35 ÷ 69 mm
Maximum dimensions L x H	5000 x 4700 mm
Maximum sash/leaf weight	500 kg
Structure type	fixed window