

TM  
102  
HI

WINDOW AND DOOR SYSTEM  
WITH THERMAL INSULATION

  
YAWAL

perfect thermal insulation properties

## TM 102HI - SYSTEM FEATURES

- excellent level of energy efficiency  $U_f =$  from  $0,45 \text{ W/m}^2\text{K}$  and very high water tightness thanks to the use of an innovative design of the central gasket,
- excellent level of sound insulation confirmed by tests,
- modern design of latch profiles in combination with new gaskets - the possibility of obtaining one plane on the aluminium-gasket line,
- possibility of manufacturing glazing reversible profile,
- possibility of creating structures with large surfaces,
- possibility of making balcony door with low threshold and all-glass corner,
- additional windproof insulation thanks to the use of a gasket at the joint of the glazing bead of the profile,
- enables the production of modern doors, ensuring excellent thermal insulation
- possibility of using full range of fittings available on the market: surface fittings, hidden fittings, PVC groove fittings, spindle handles of any shape, stainless steel handles.



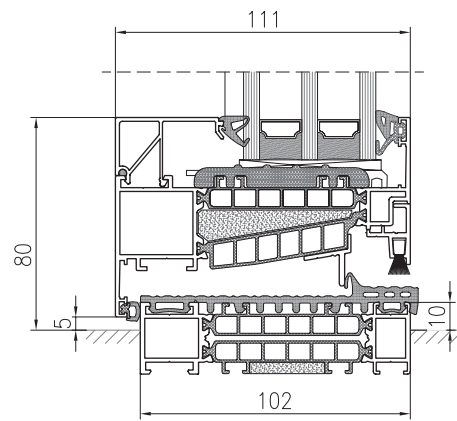
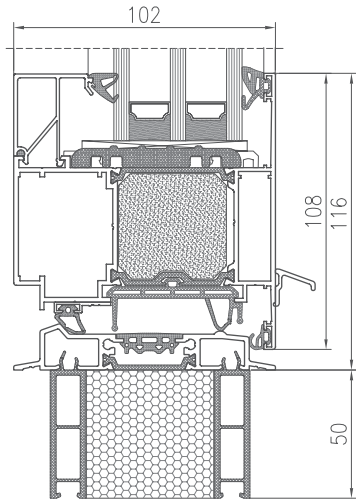
See the product  
on the website



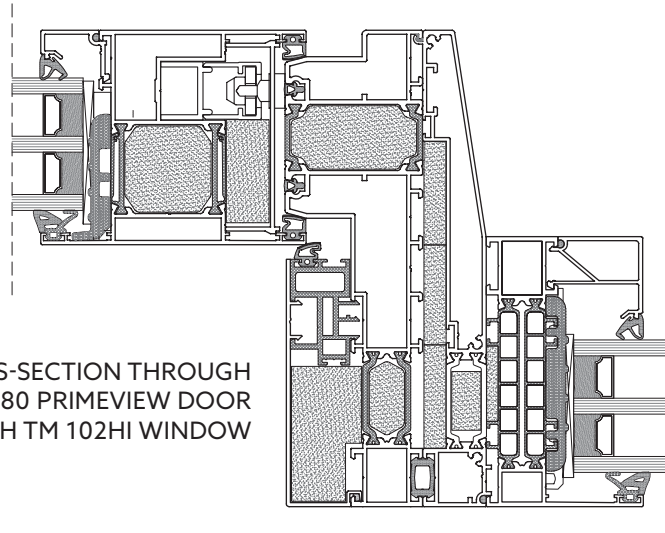
Picture: Office Building at Za bramką Street, Poznań  
Design: Ultra Architects  
Aluminium manufacturer: JB System Jacek Broniarz

CROSS-SECTION THROUGH TM 102HI WINDOW WITH LOW THRESHOLD

CROSS SECTION THROUGH TM 102HI DOOR WITH WARM FOUNDATION BEAM



CROSS-SECTION THROUGH DP 180 PRIMEVIEW DOOR WITH TM 102HI WINDOW



TM 102HI - WINDOW AND DOOR SYSTEM WITH THERMAL INSULATION

TECHNICAL PARAMETERS - TM 102HI

		WINDOWS	DOORS
ENERGY	Thermal insulation EN 10077-2	Uw from 0,58 W/m <sup>2</sup> K	Uw from 0,7 W/m <sup>2</sup> K
COMFORT	Acoustic insulation EN ISO 140-3	Rw = 39 ÷ 48 dB	Rw = 39 ÷ 48 dB
	Air permeability EN 12207	Class 4	Class 4
	Water tightness EN 12208	E1800	E750
SAFETY	Wind load resistance EN 12210	Class C5/B5	Class C5/B5
	Anti-theft protection EN 1627	RC2	RC2

TECHNICAL PROPERTIES - TM 102HI

	WINDOWS	DOORS
Frame structural depth	102 mm	102 mm
Sash/leaf structural depth	111,4 mm	102 mm
Infill thickness	35 ÷ 72 mm	35 ÷ 72 mm
Maximum sash/leaf dimensions L x H	1600 x 3000 mm	1400 x 3000 mm/
Maximum sash/leaf weight	180 kg	250 kg
Structure type	fixed, turn, tilt, turn and tilt window	single-leaf, double-leaf doors, doors with transom window and sidelights