

PF  
40

PORTFENETR SYSTEM



safety without compromise

## PF 40 - SYSTEM FEATURES

- allows the construction of modern external balustrades, which are installed as protection for high opening windows, such as French balconies,
- PF 40 structures are an interesting architectural element that adds to the attractiveness of the building façade,
- strong and durable profiles which ensure maximum level of safety,
- compatibility with all window and door systems with thermal insulation in the Yawal system,
- ensures easy installation to the systems frame based on TM,
- masking clip of the fixing screw ensures aesthetic of the structure,
- filling with glass panes VSG/ESG 66.2, 88.2, 1010.2,
- possibility of manufacturing structures without the upper safety strip, which creates a modern appearance,
- can be used both in single-leaf and double-leaf structures,
- increases building acoustic insulation.

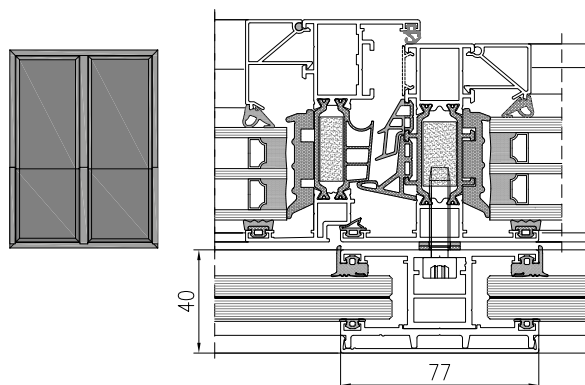


See the product  
on the website

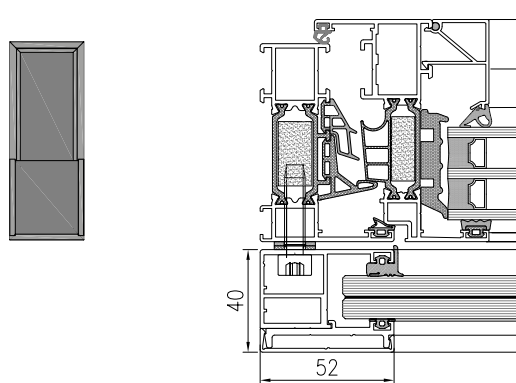
Picture: Examples of the system use

Yawal constructors paid special attention to aesthetic finish of the system. They designed special masking clip, thanks to which the installation screws are hidden, and the whole railing looks very elegant. This solution is not available in products offered by competitive companies. Moreover, the masking clip is made in the same way as the façade clip, which shortens the time of assembly and disassembly of the structure making it easier.

#### CROSS SECTION THROUGH PF40 BALUSTRADE FIXING TO THE WINDOW MULLION



#### CROSS SECTION THROUGH PF40 BALUSTRADE FIXING TO THE WINDOW FRAME



The Yawal Portfenetr PF 40 system is mounted to the window frame. Thanks to use of special crosspiece, it is possible to construct the railing on both single- and double-leaf structures. The solution is installed to the frame on vertical profiles in the "H" version, and on vertical profiles and a horizontal profile in the "U" version. The base profiles and pressure strips of the system are sold in a version with drilled assembly openings, which facilitates prefabrication and assembly, thus lowers costs.